

DBMIF

S I N C E 1 9 7 3

Comfortable Wrist Wearing Ergonomics Engineering

OUR R&D DEPARTMENT

DBMF has been in the watch industry for more than four and a half decades. During which we have created a tight-knit group of partners that we work with in order to fulfil your creative vision,



TABLE OF CONTENTS

<i>1.</i>	THE CLASSIC BRACELET	Single Link Bracelets	7
		Multi-Links Bracelets	11
<i>2.</i>	THE CLASSIC BUCKLES	Single Pin Buckle	
		Butterfly Buckle	
		Pusher Buckle	15
		Double Arm Buckle	
		Single Arm Buckle	
		Diving Buckle	
<i>3.</i>	OUR PATENTS	Removable Bracelet	43
		Removable Link	53
		Patent Buckle	59



1.

**THE CLASSIC
BRACELET**

SINGLE-LINK BRACELET

MULTI-LINKS BRACELET

SINGLE LINK BRACELET

The Single-Link Bracelet
requires handmade
precision to achieve both
simplicity and classic

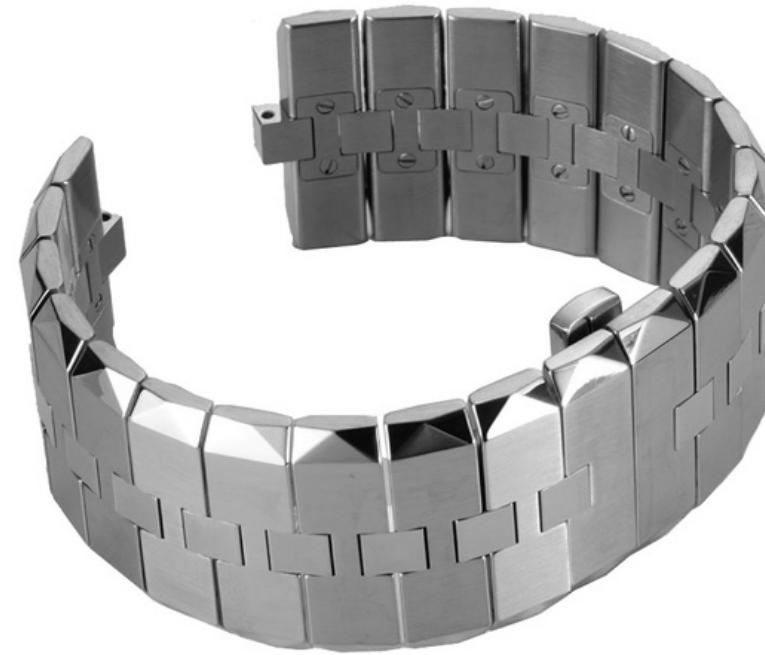
Model No. 3566



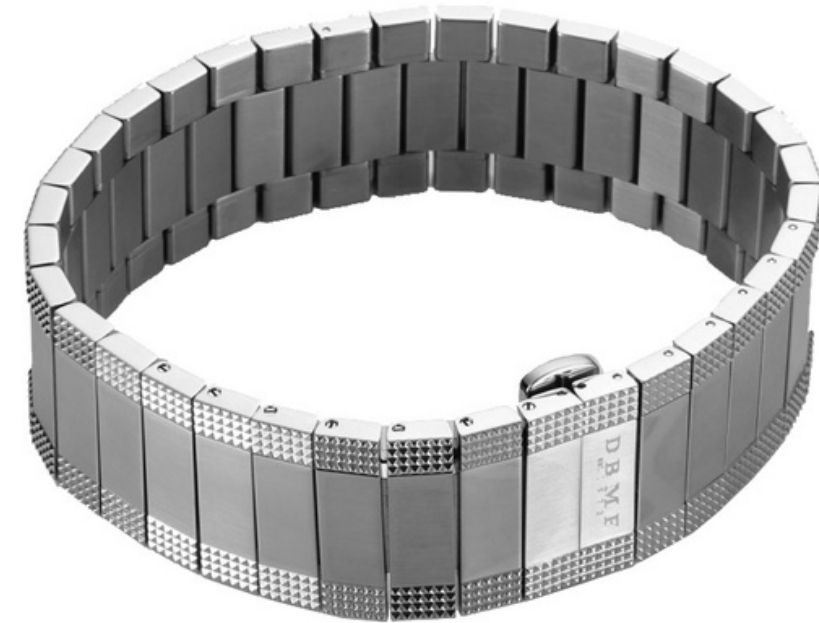
SINGLE-LINK BRACELET



RD5235BG



RD5237G



B10-9

SINGLE-LINK BRACELET



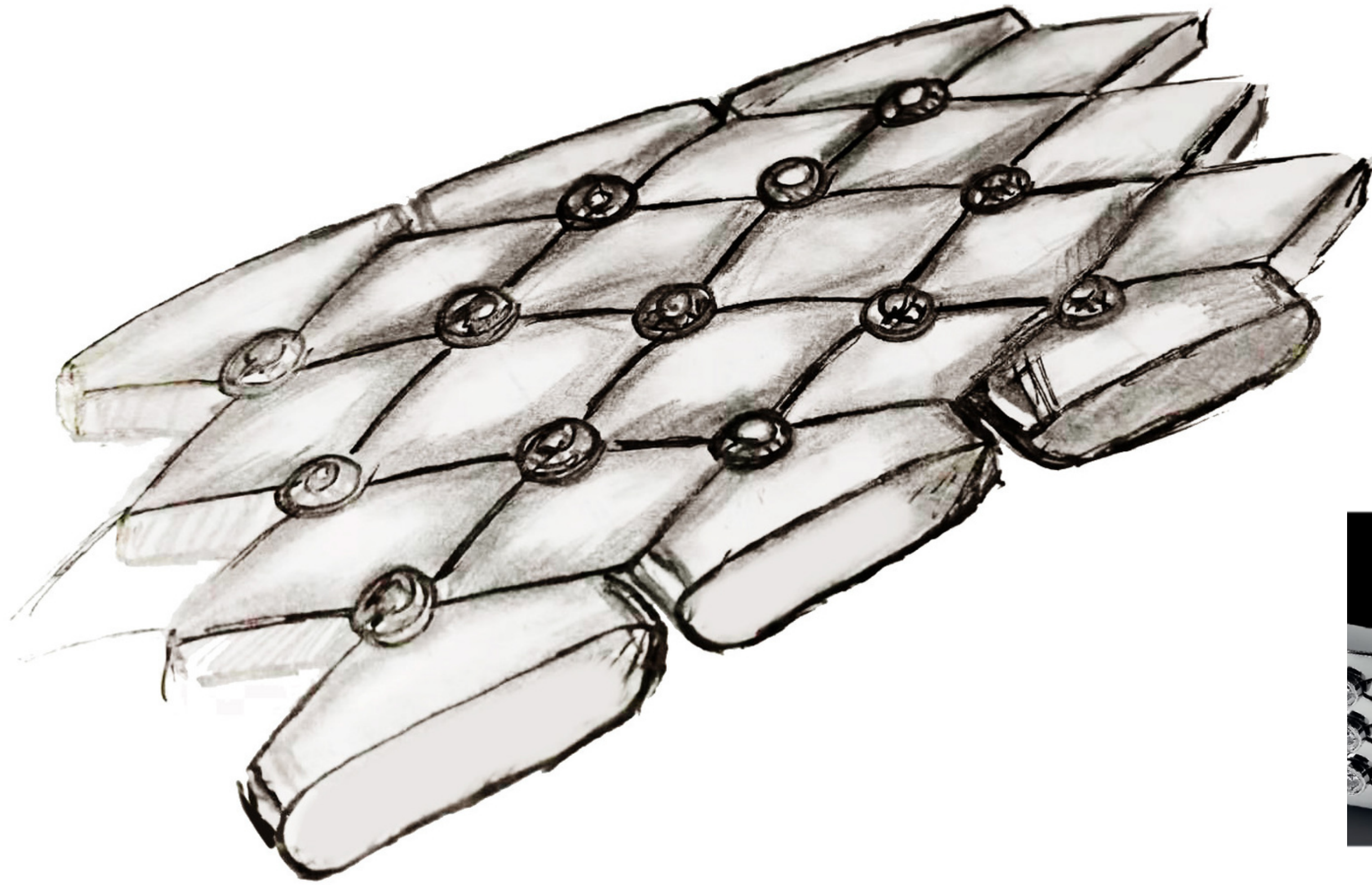
RD5237G



RD5236



RD5233



Model No. 5239

MULTI-LINKS BRACELET

Originally inspired by modern architecture.

Our 13-beads bracelet is considered the softest and thinnest bracelet which includes the smallest and highest amount of beads.



MULTI-LINKS BRACELET

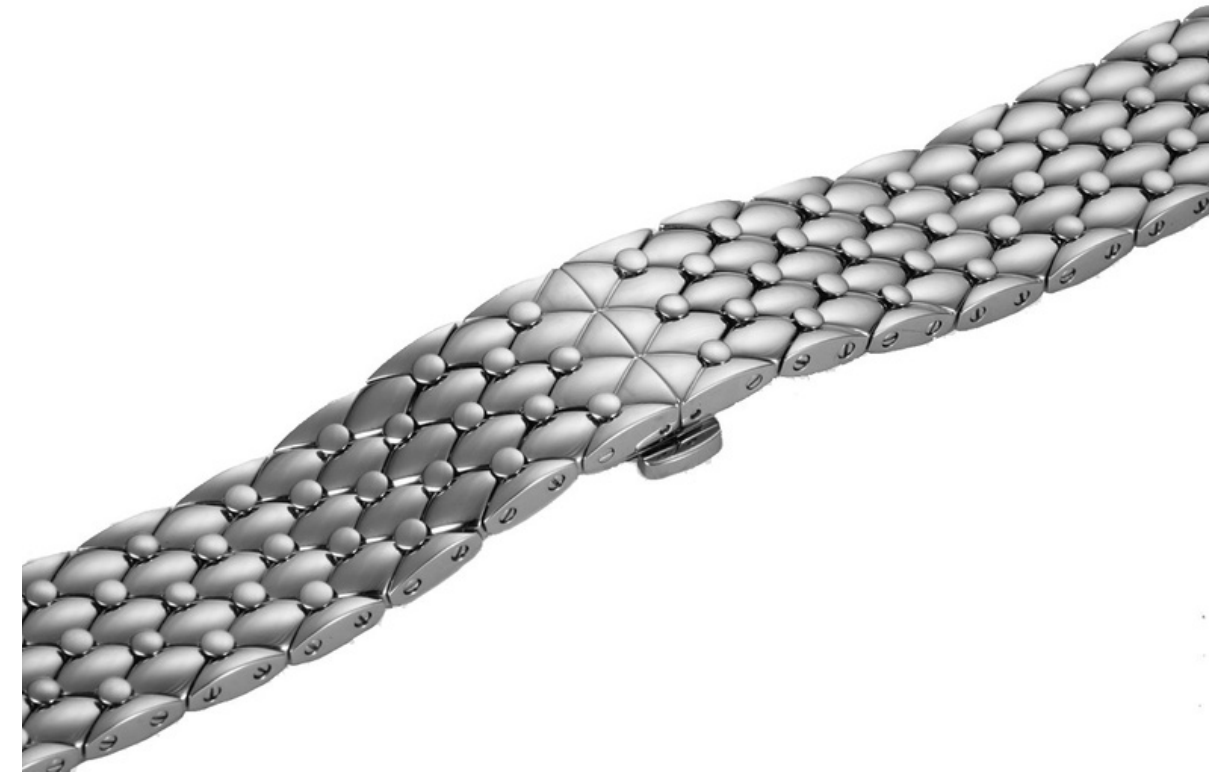


Model No. 5696

MULTI-LINKS BRACELET



RD5792



RD5232



Model No. 47

2.

THE CLASSIC BUCKLES

SINGLE PIN BUCKLE

BUTTERFLY BUCKLE

PUSHER BUCKLE

DOUBLE ARM BUCKLE

SINGLE ARM BUCKLE

DIVING BUCKLE



Model No. 313-201

SINGLE PIN BUCKLE

Suitable for leather bracelet

Model No. 345



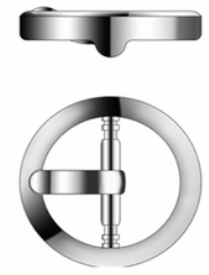
**MATERIAL
OPTION**

STAINLESS STEEL
TITANIUM
GOLD

**PLATING
OPTION**

2N
5N
PVD

SINGLE PIN BUCKLE



62



77



235



105



206



229



85



95



68



212



242

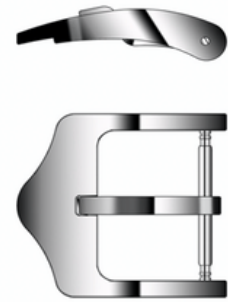


118

SINGLE PIN BUCKLE



96



320



428



259



246



165



429



285



245-20s



288

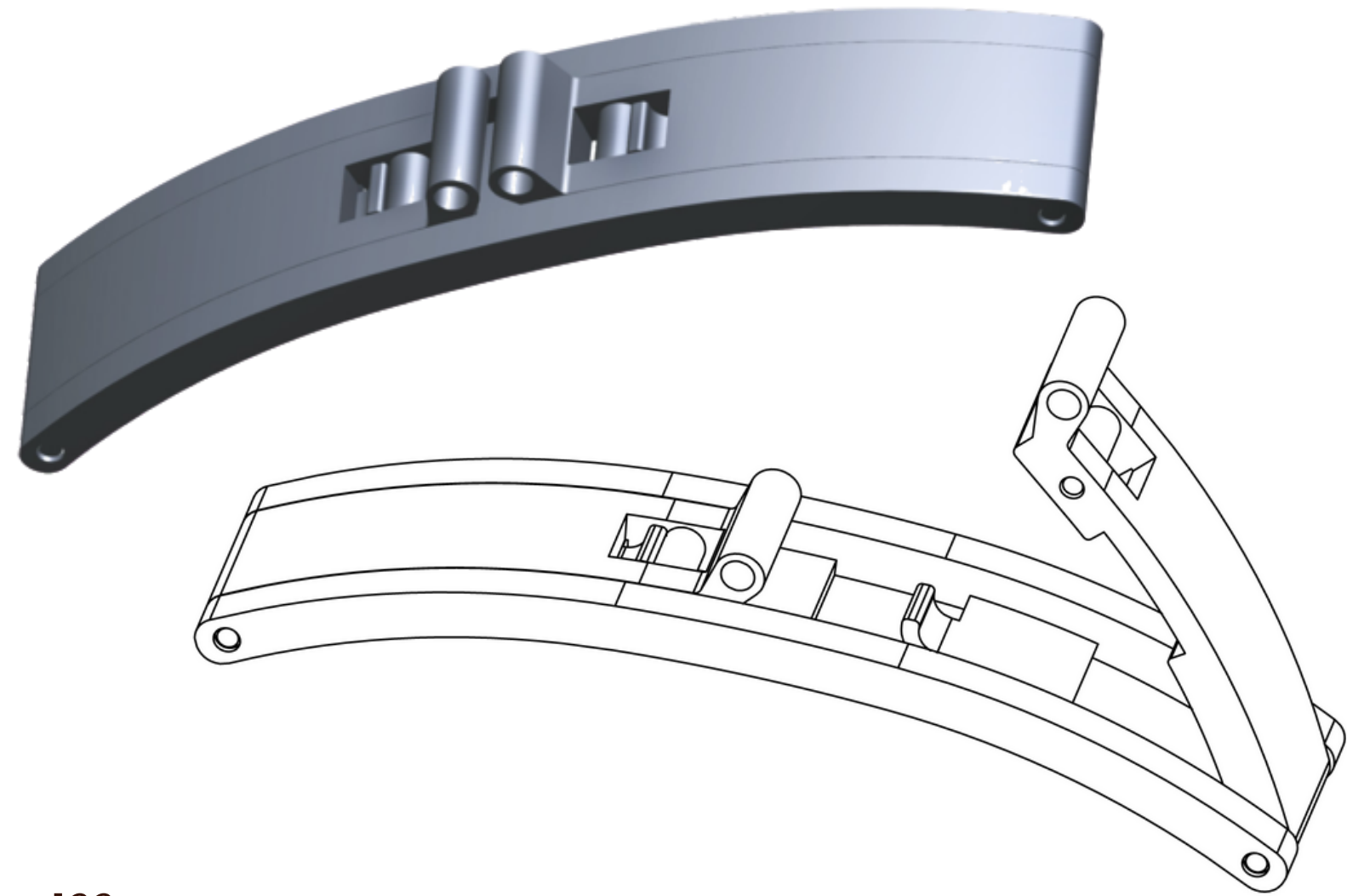


345



315

BUTTERFLY BUCKLE

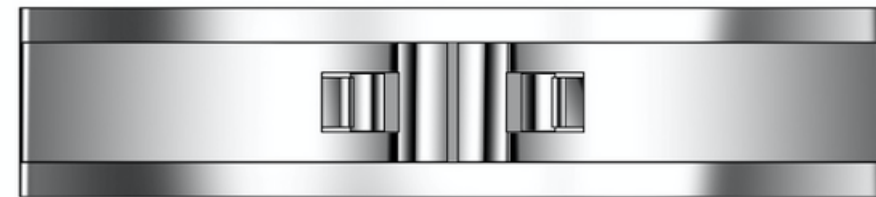
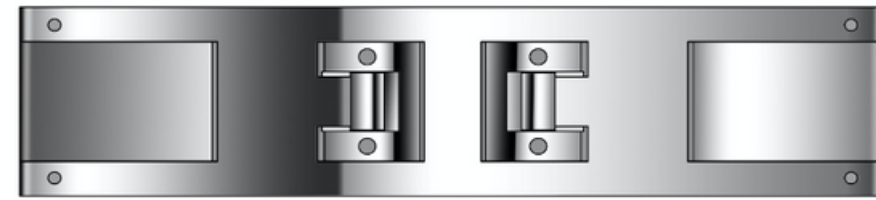


Model No. 122

MATERIAL OPTION	STAINLESS STEEL TITANIUM
----------------------------	-----------------------------

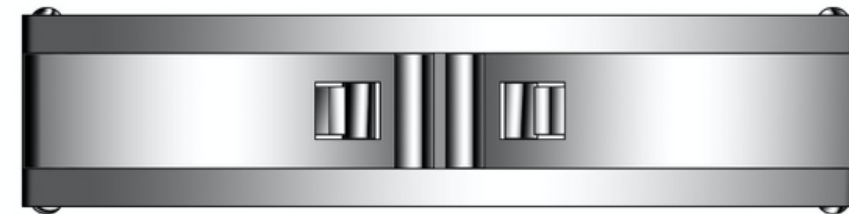
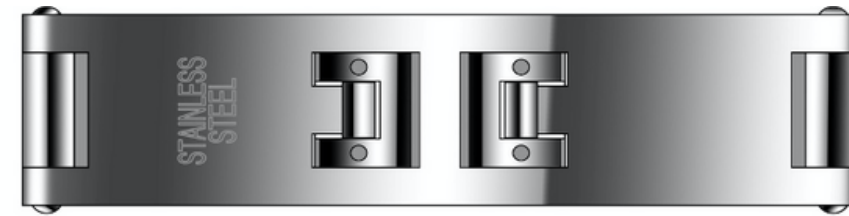
PLATING OPTION	2N 5N PVD
---------------------------	-----------------

BUTTERFLY BUCKLE



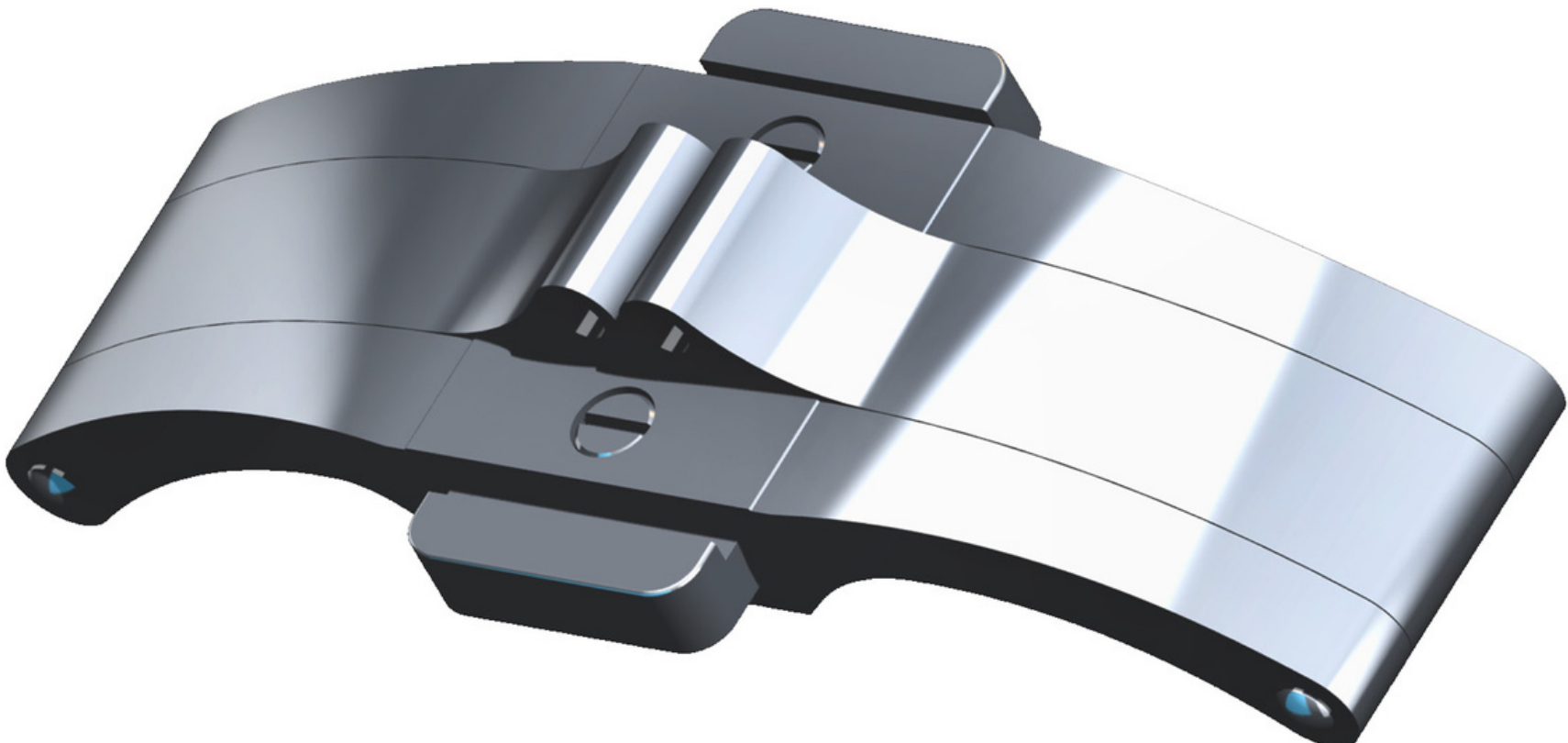
Model No. 122

BUTTERFLY BUCKLE



Model No. 30

PUSHER BUCKLE



Model No. 307

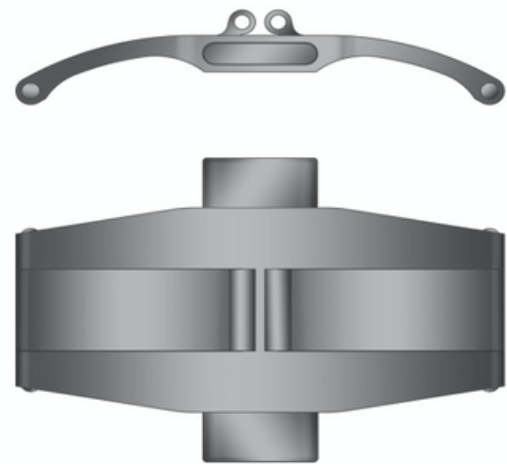
MATERIAL OPTION	STAINLESS STEEL TITANIUM
----------------------------	-----------------------------

PLATING OPTION	2N 5N PVD
---------------------------	-----------------

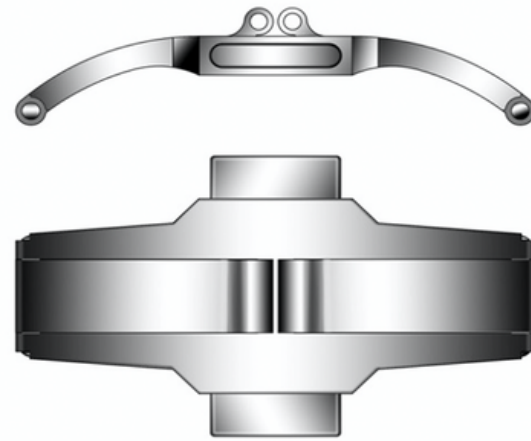
PUSHER BUCKLE



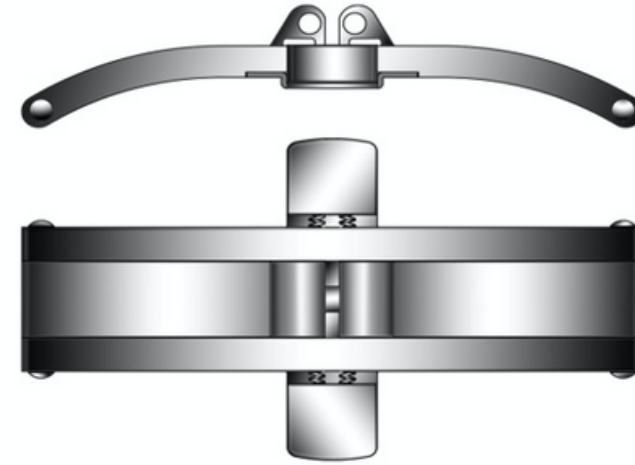
287



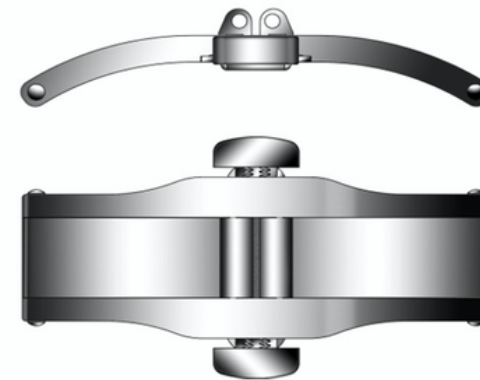
132 (Ti)



399

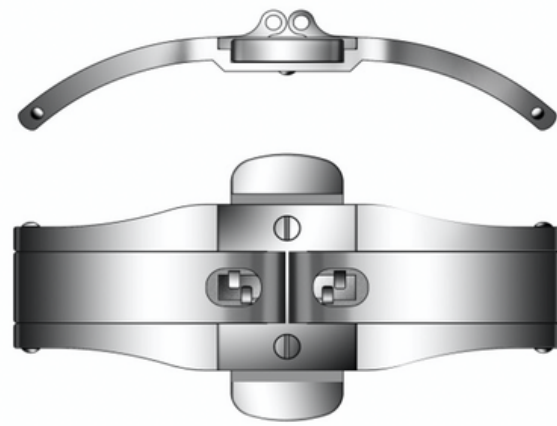


276

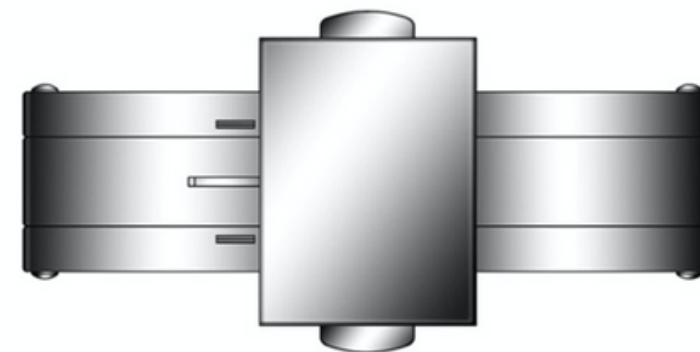


41

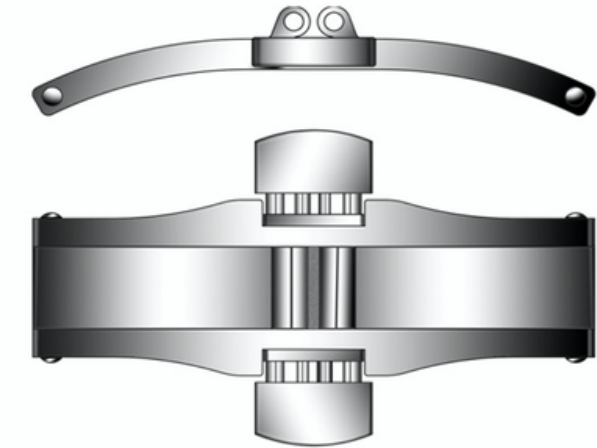
PUSHER BUCKLE



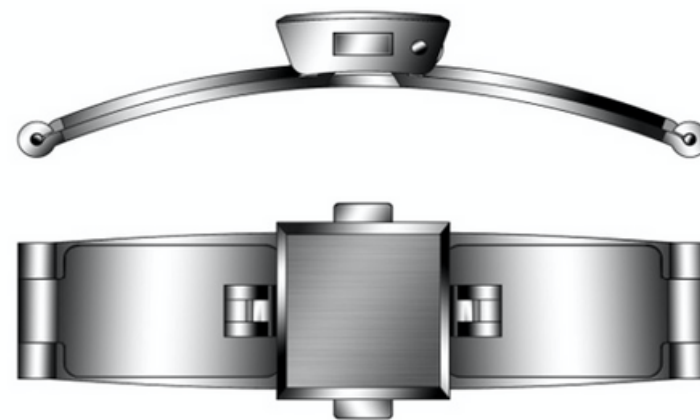
47



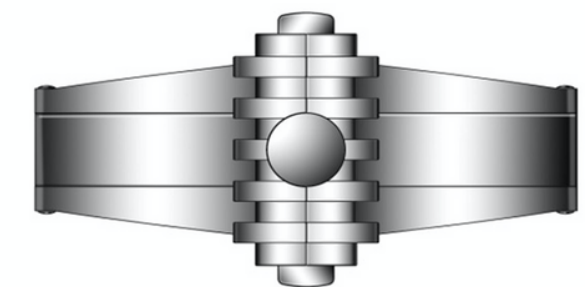
69



156



130

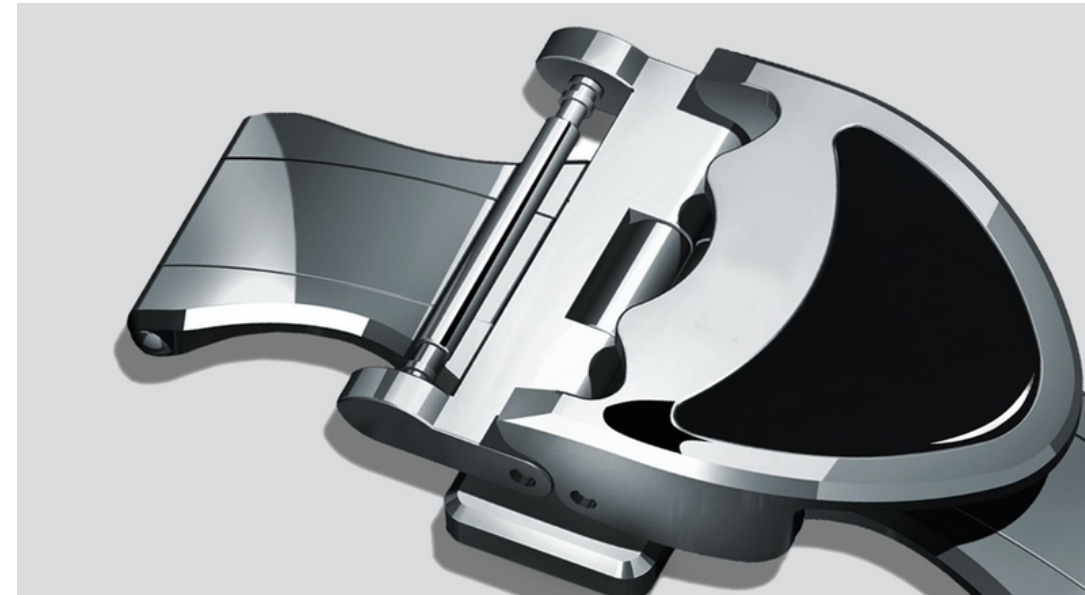


180

DOUBLE ARM BUCKLE

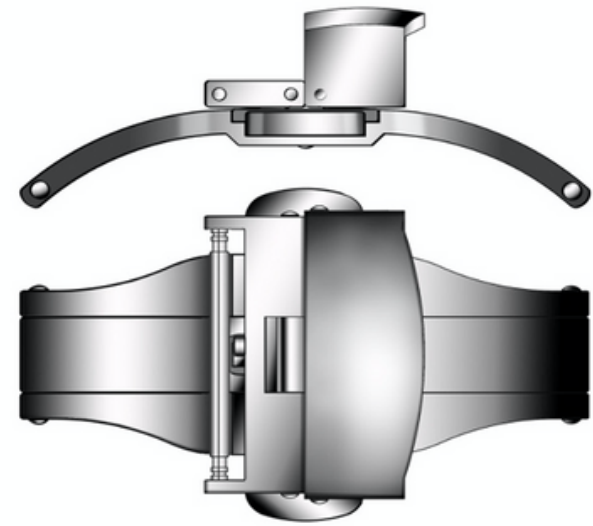


Model No. 094

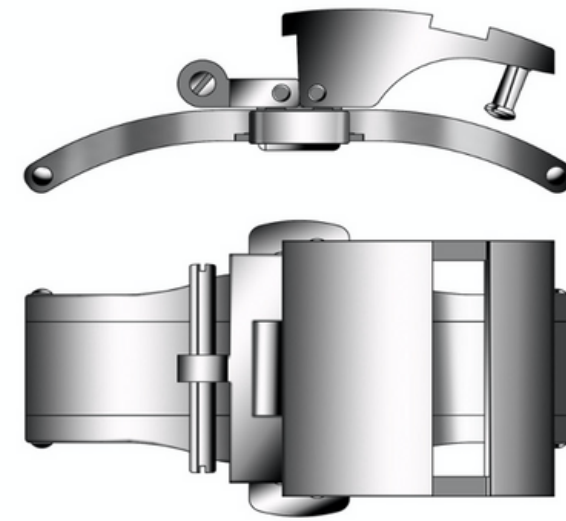


Model No. F-263

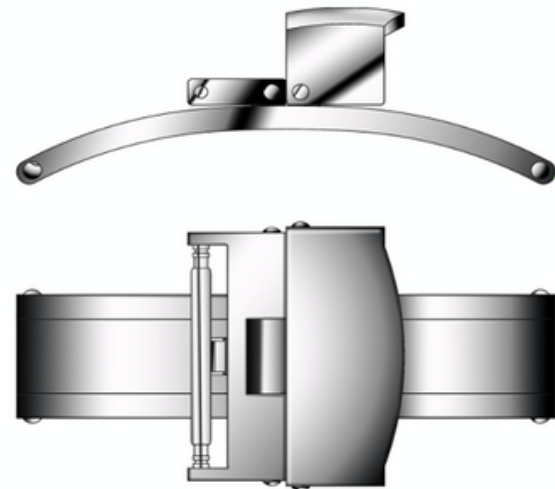
DOUBLE ARM BUCKLE



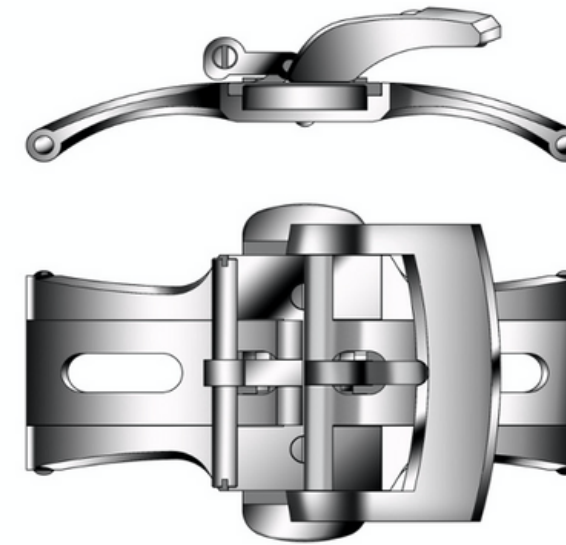
91



103

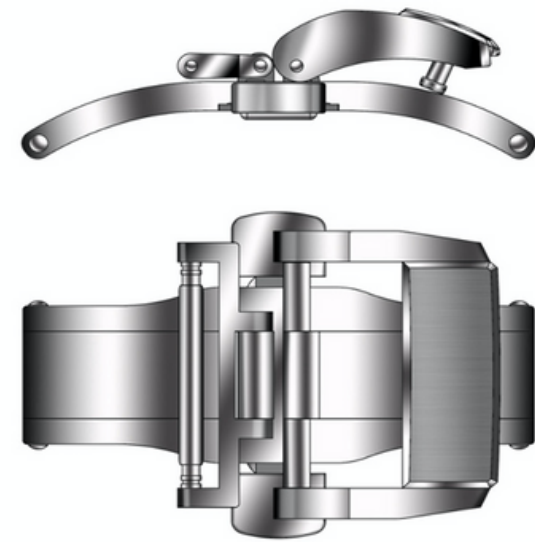


89

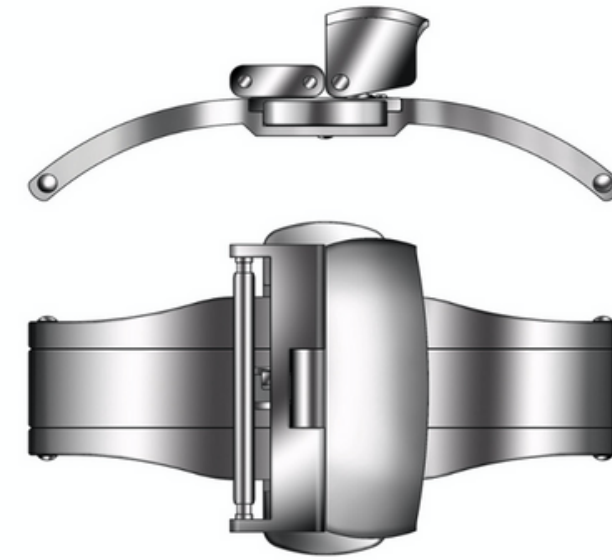


250

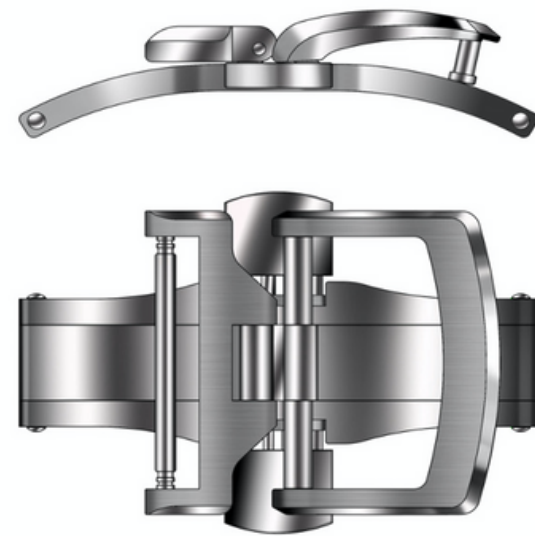
DOUBLE ARM BUCKLE



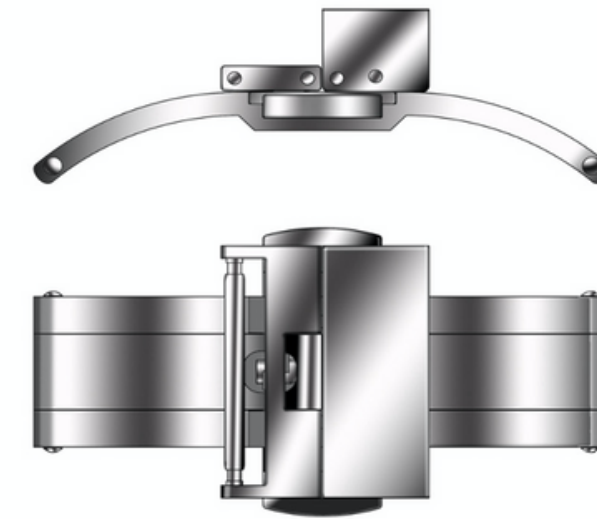
299



411

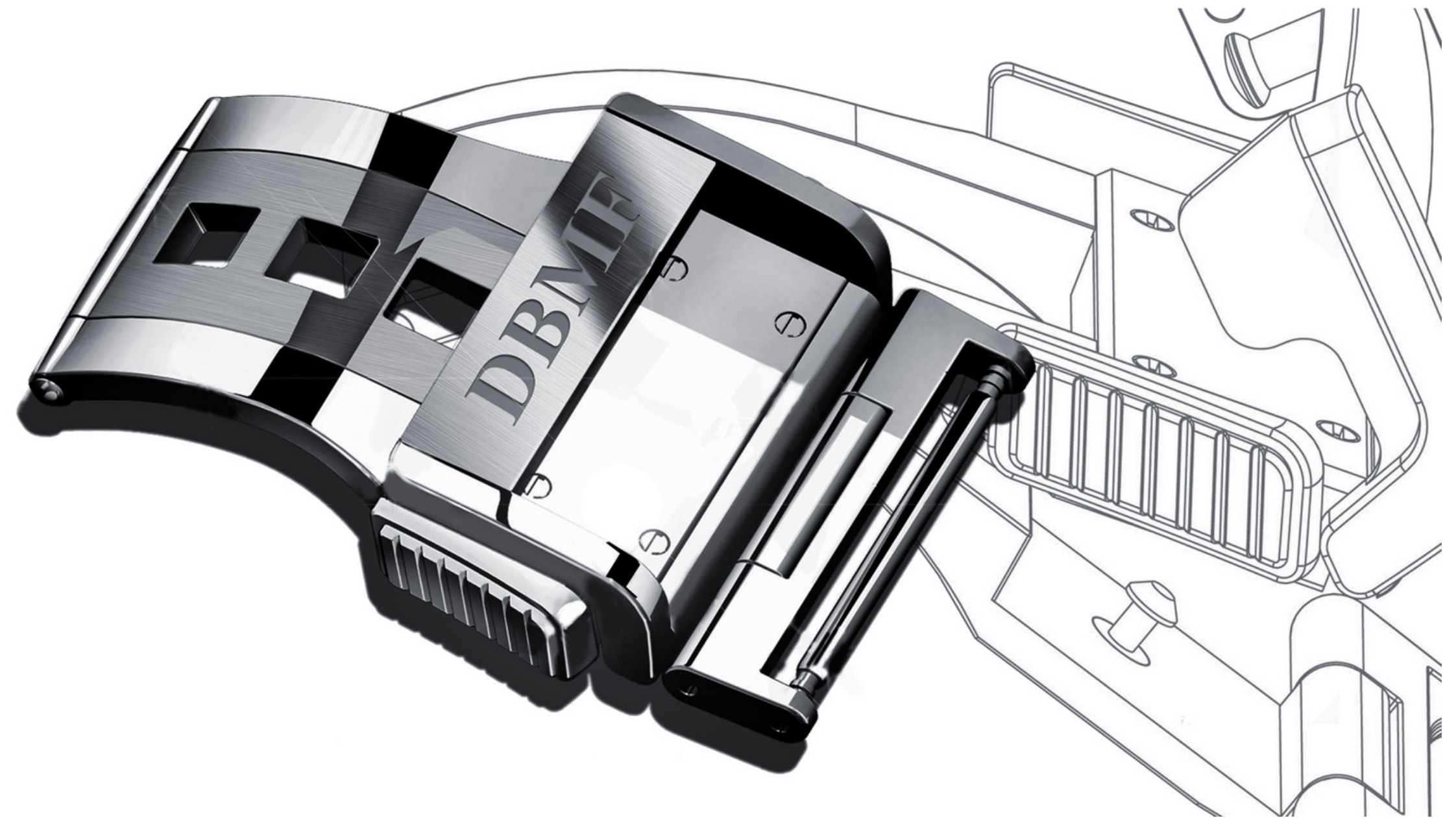


312

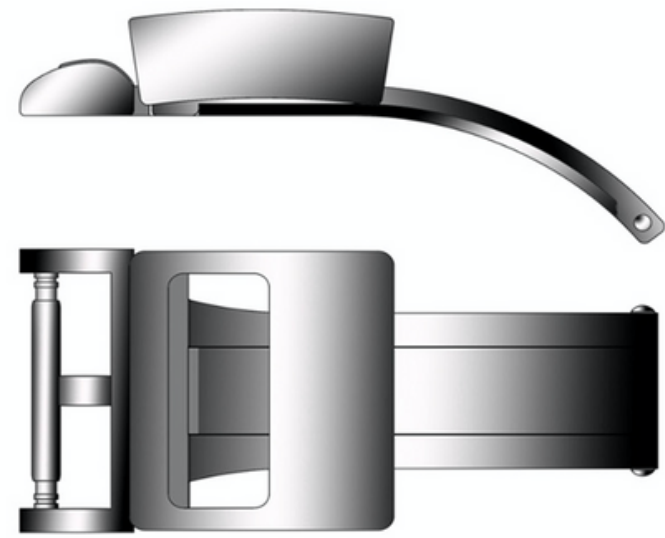


556

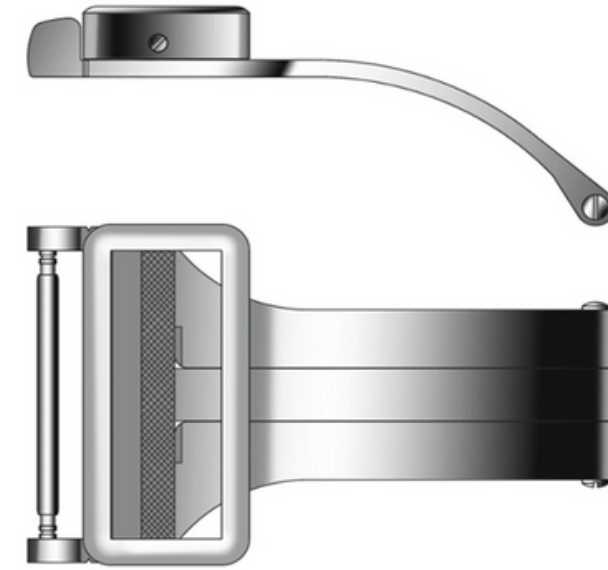
SINGLE ARM BUCKLE



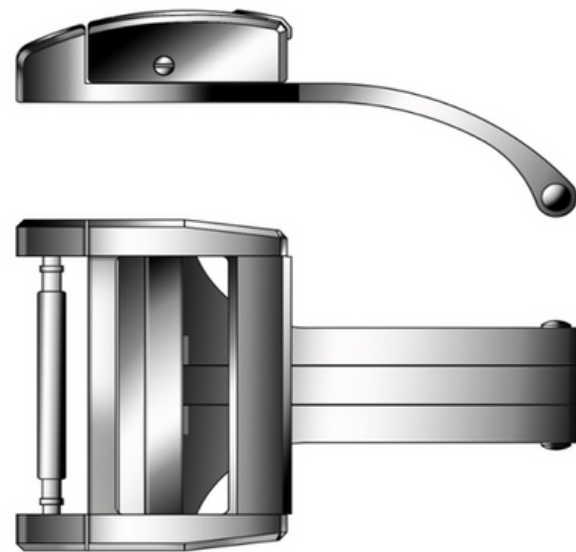
SINGLE ARM BUCKLE



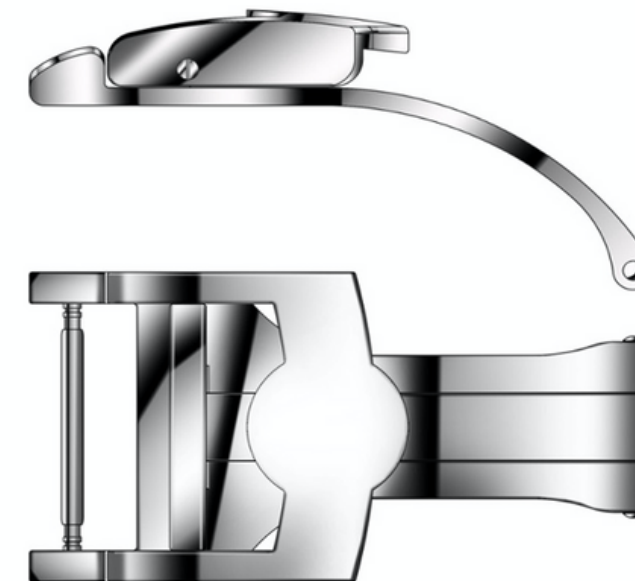
54



65

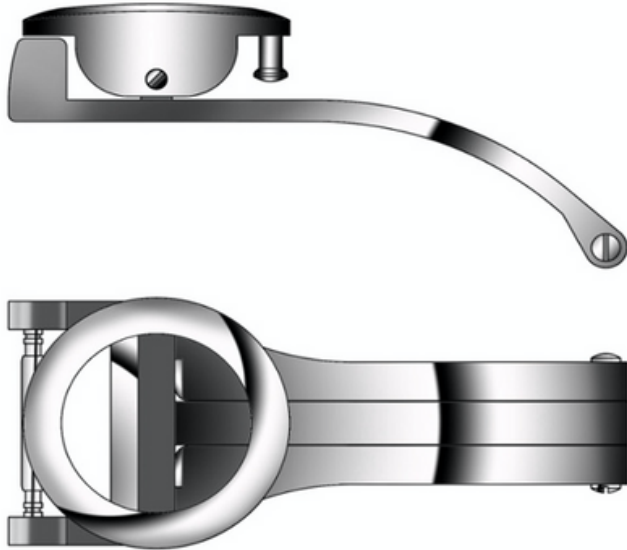


273

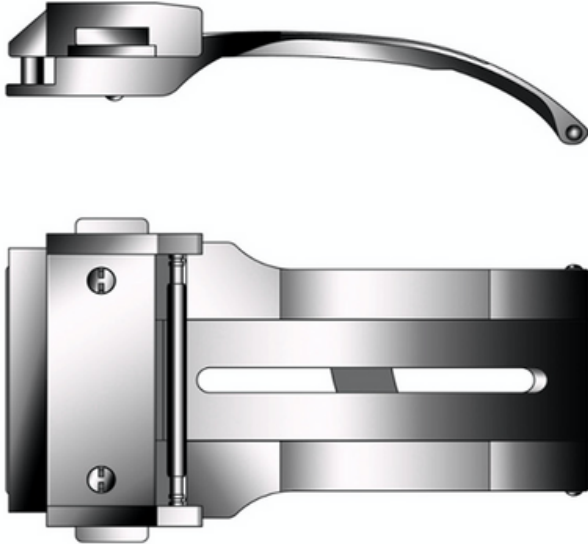


388

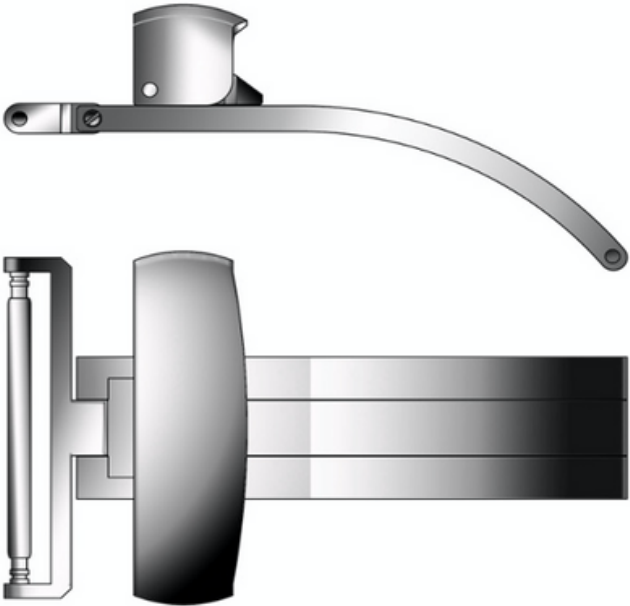
SINGLE ARM BUCKLE



93

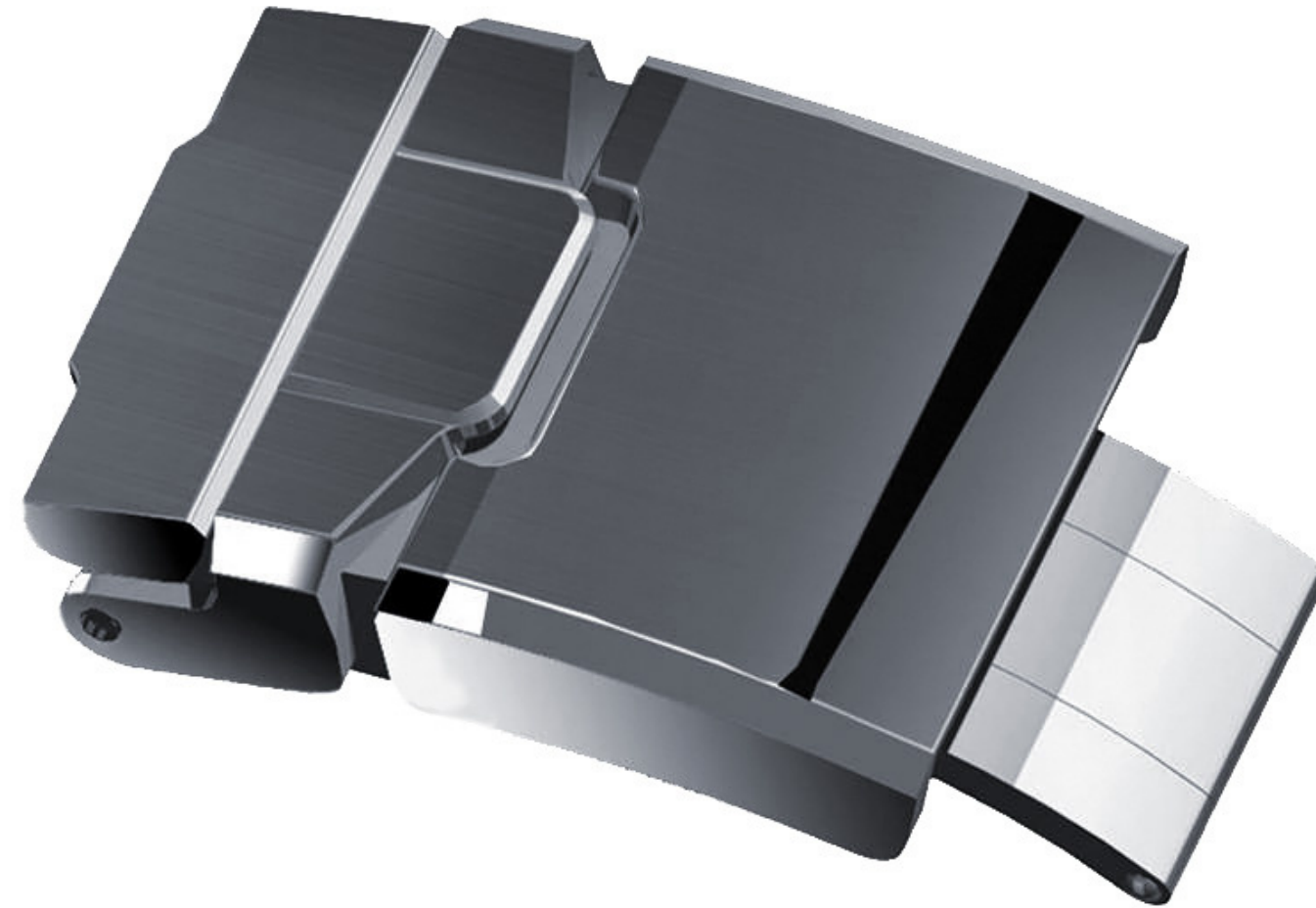


225



227

DIVING BUCKLE



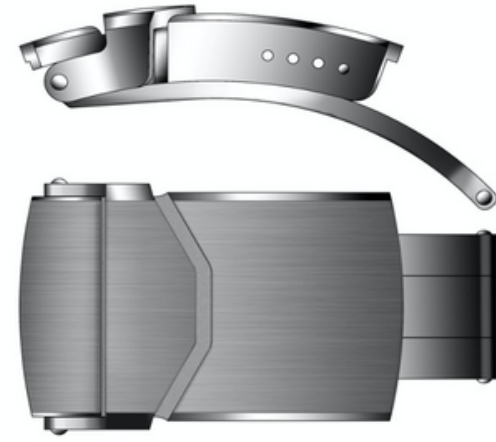
**MATERIAL
OPTION**

STAINLESS STEEL
TITANIUM

**PLATING
OPTION**

2N
5N
PVD

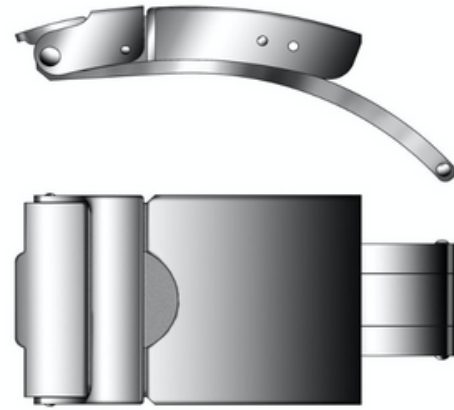
DIVING BUCKLE



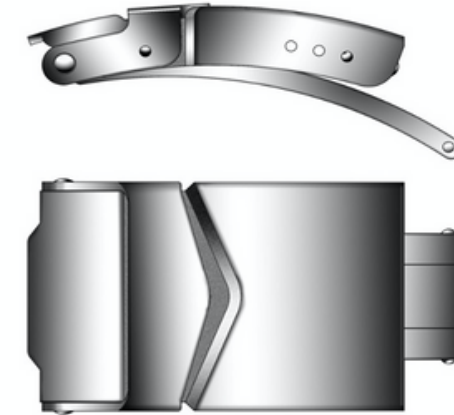
01-19-3



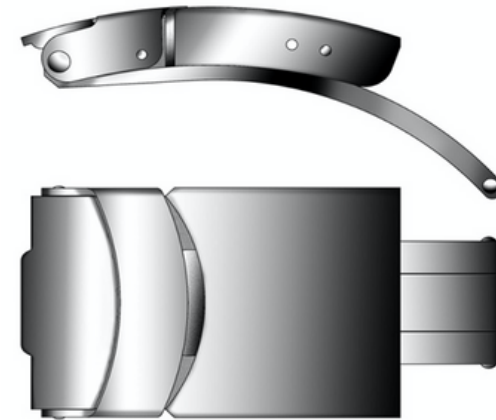
01-20-9



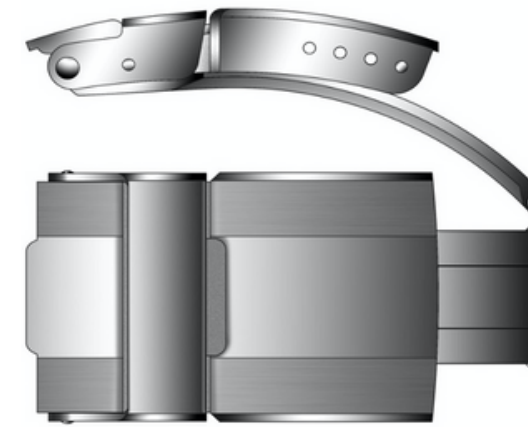
01-20-8



01-20-11

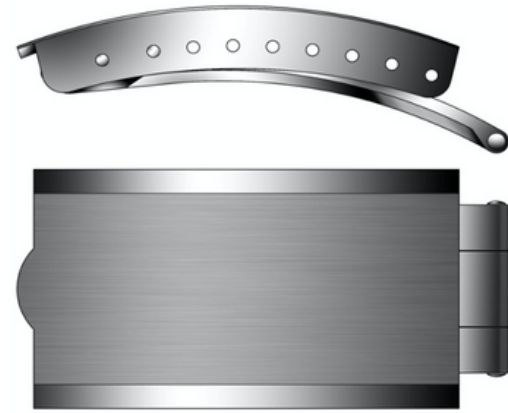


01-20-8A



01-20-13

DIVING BUCKLE



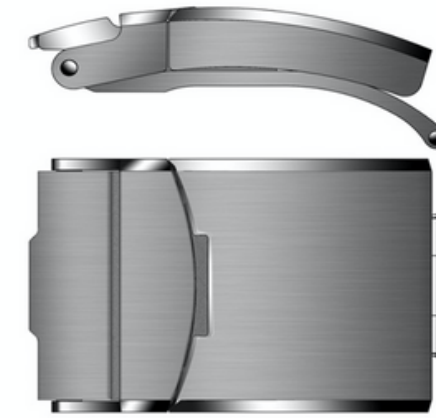
52-18



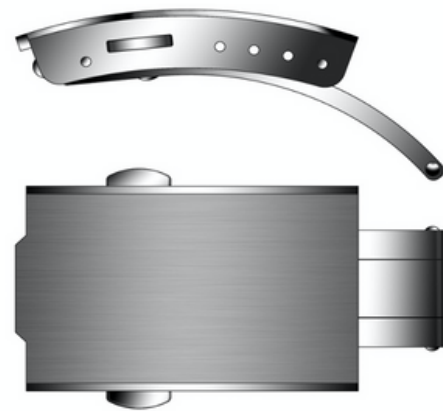
01-20-12



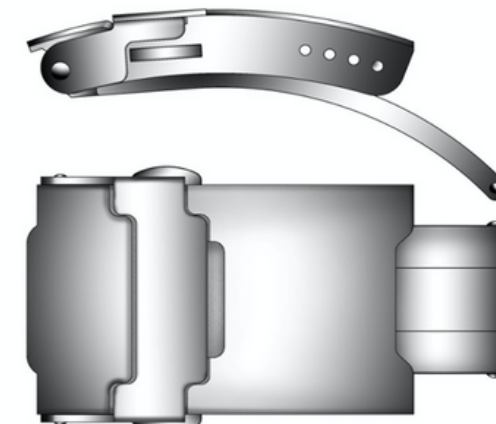
52-18A



01-22-14



52-18-2



107-20

3.

OUR

PATENTS

REMOVABLE BRACELET

REMOVABLE LINK

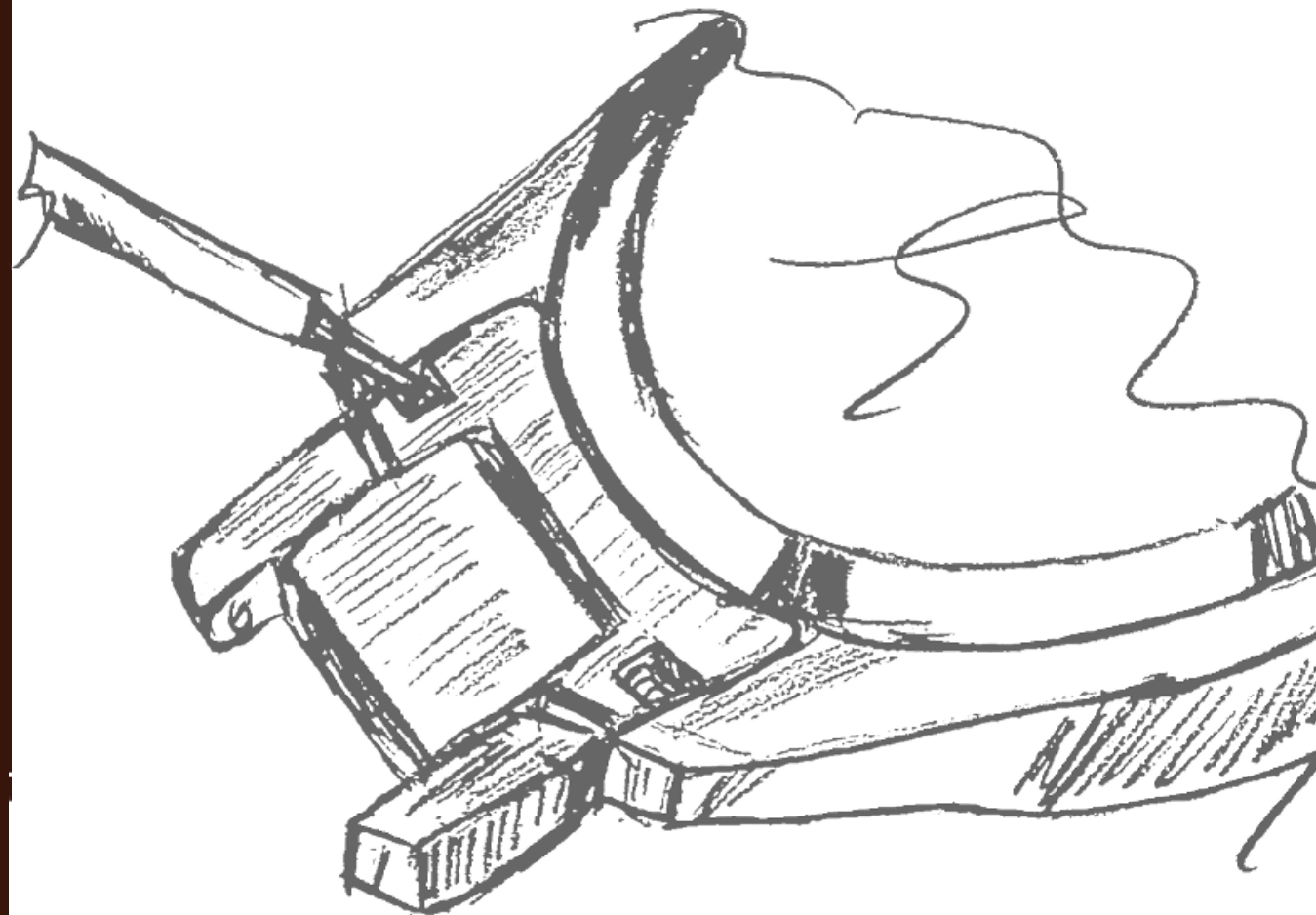
PATENT BUCKLE

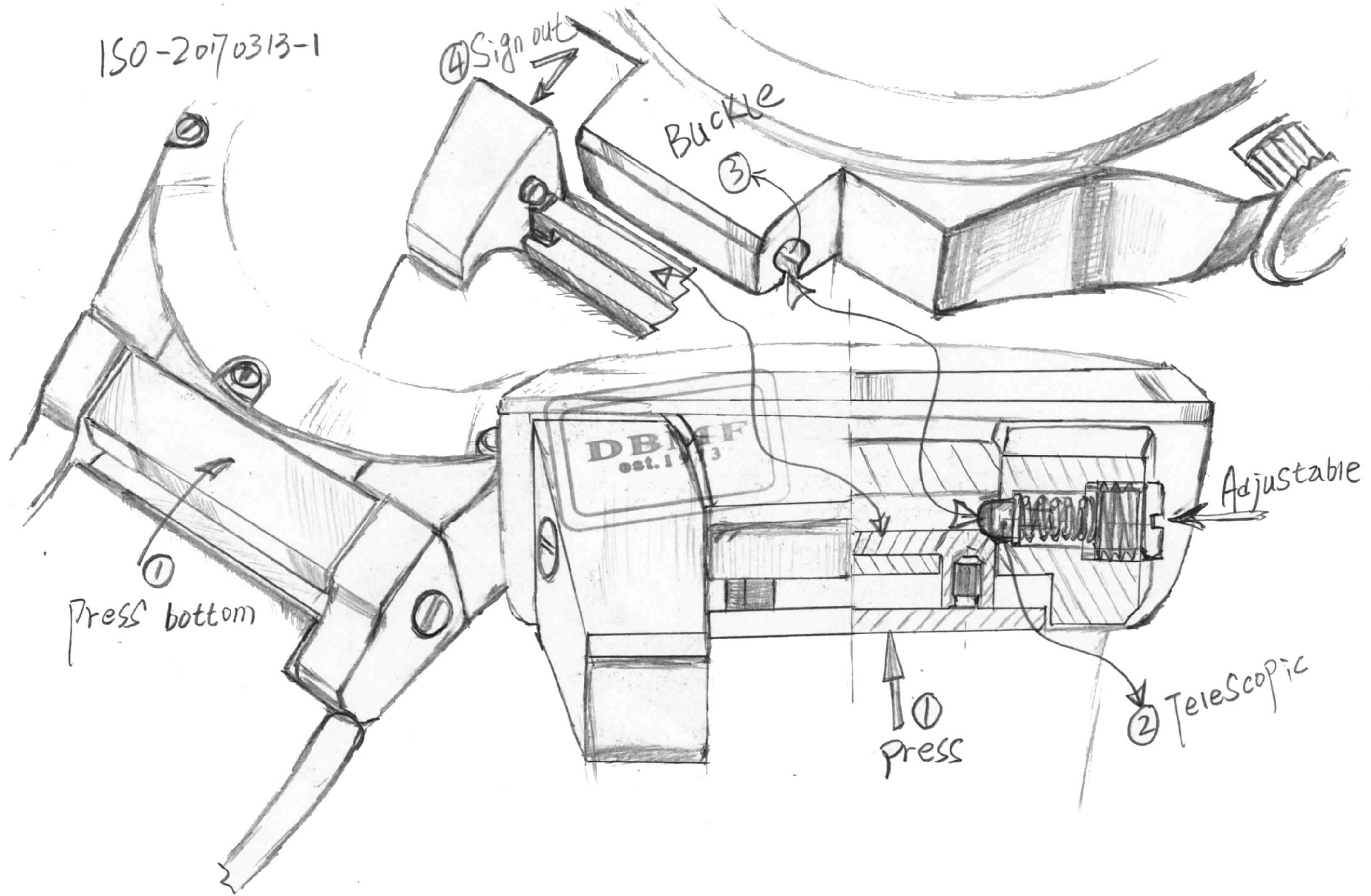
REMOVABLE BRACELET

INVENTION PATENT

The inspiration of this patent comes from the desire to alter traditional disassembling techniques.

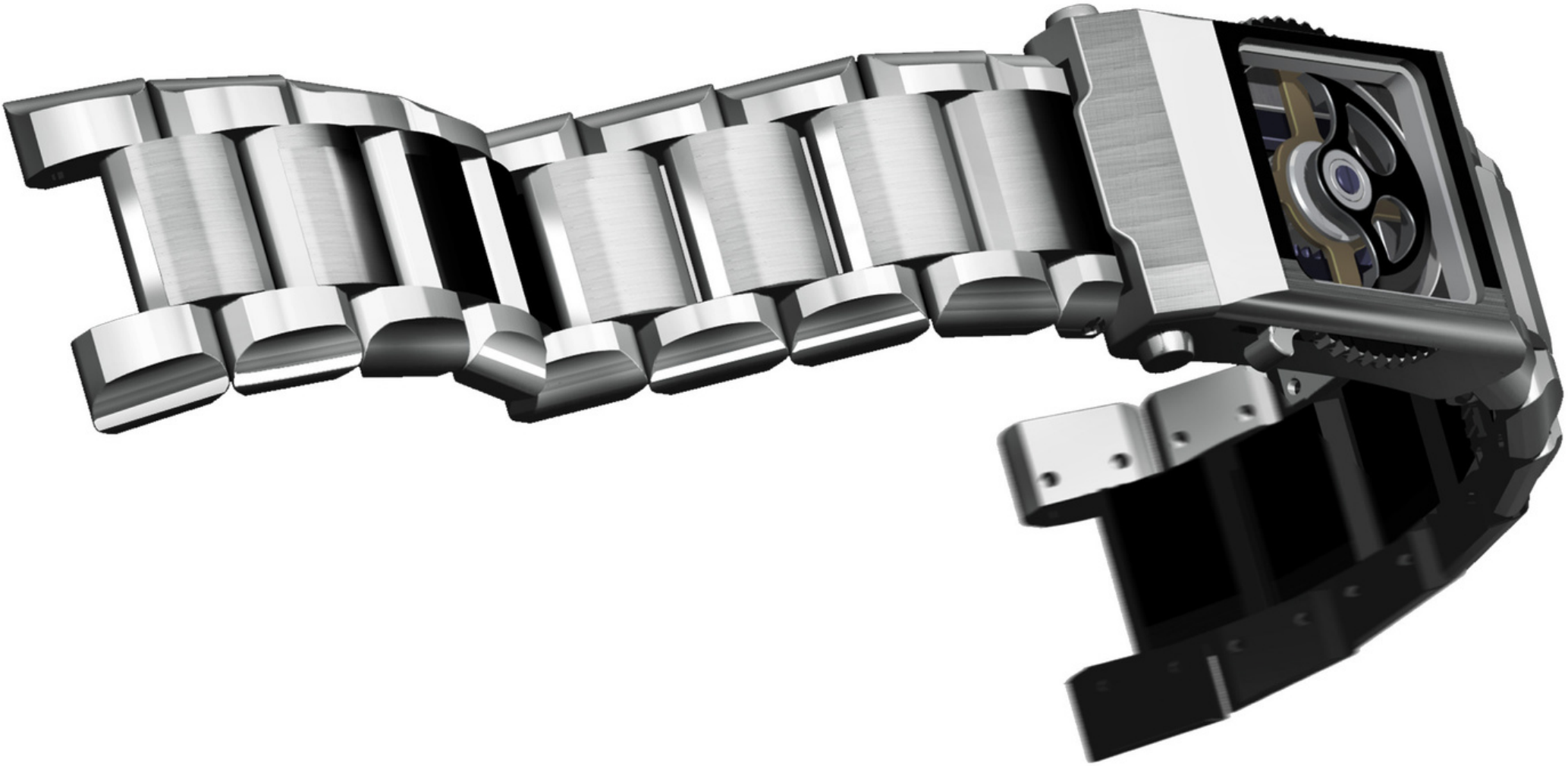
The removal and installation of this bracelet is now an easy and convenient process that can be done by anyone, at anytime, anywhere.





REMOVABLE LINK

DBMF's first removable
bracelet without the need of
any tools to disassemble or
reassemble.



Model No. 6142 + 550-18E

PATENT BUCKLE

DBMF's patent buckles
are unique but firm

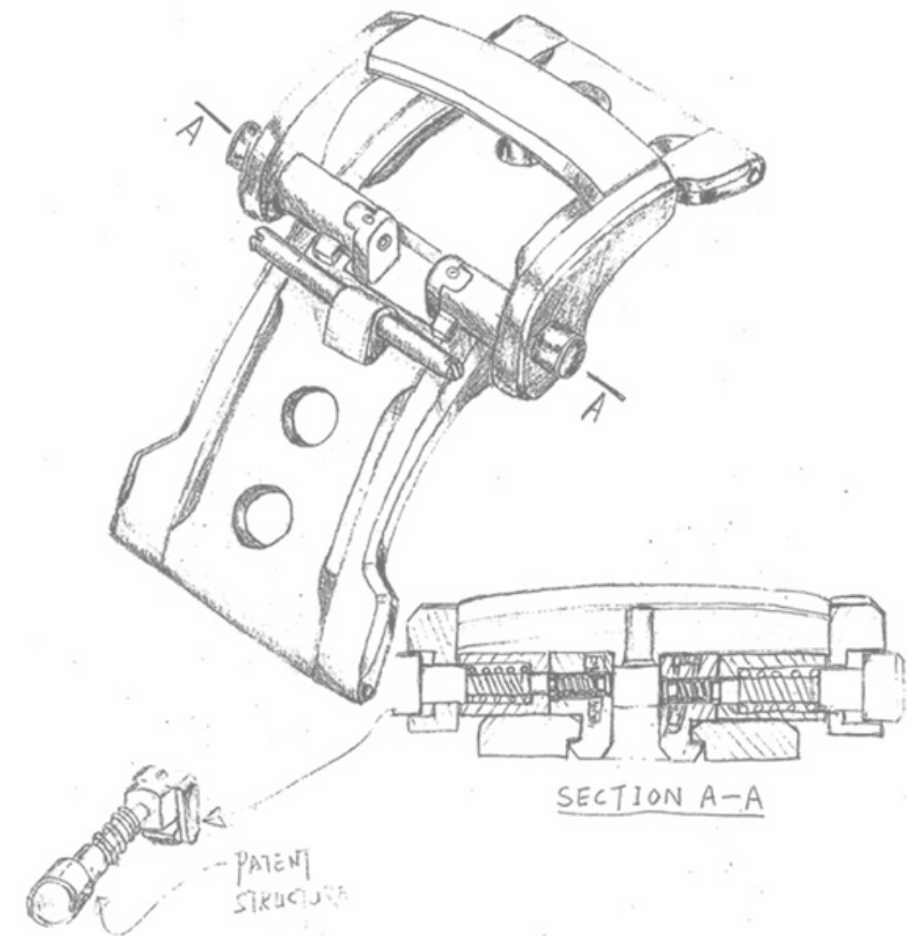


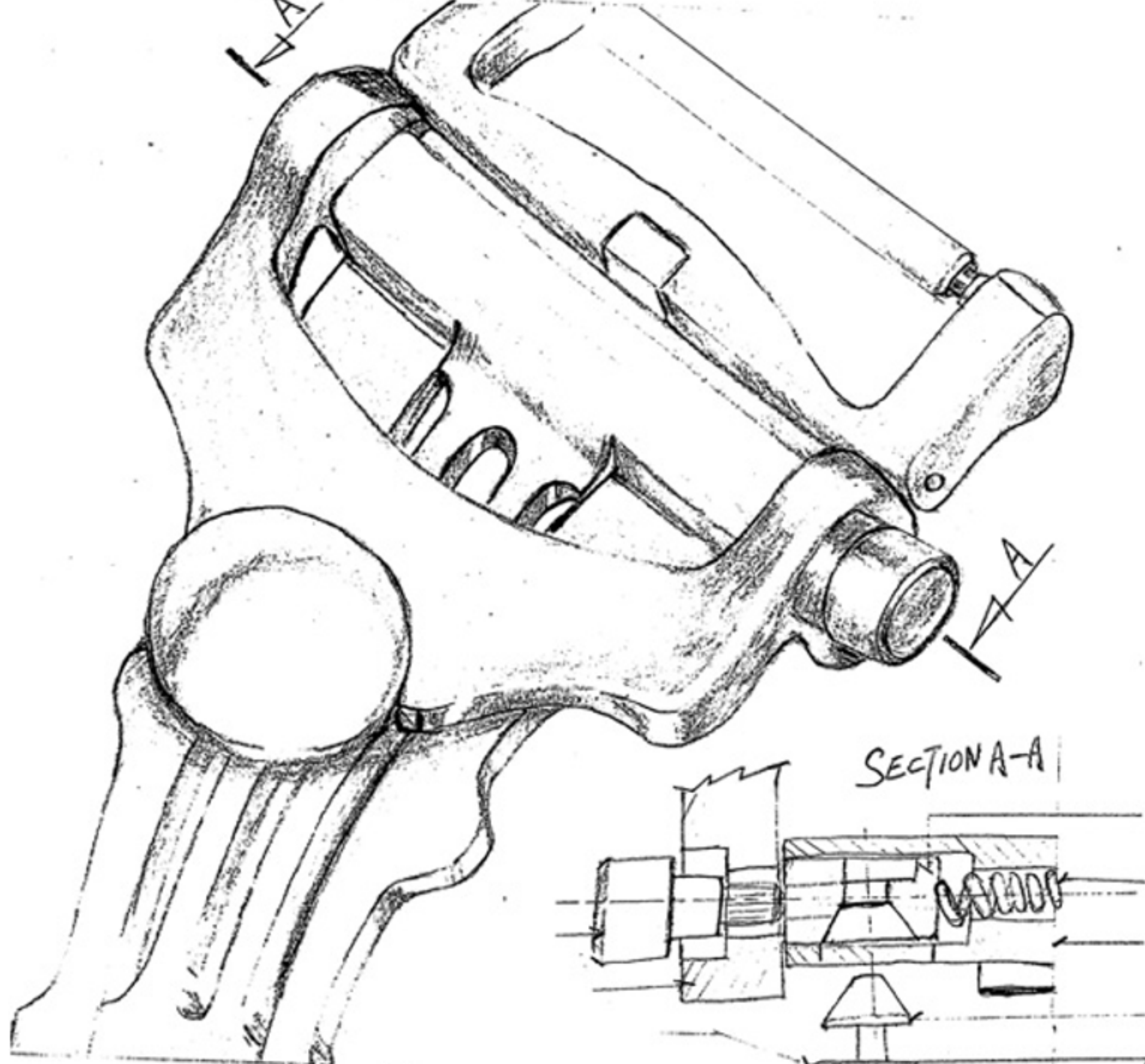
Model No. 245

PATENT NO. 2012101212094

DBMF's first patent buckle
that is unique but firm

Suitable: Leather bracelet
designs





DBMIF

S I N C E 1 9 7 3

Comfortable Wrist Wearing Ergonomics Engineering

Contact Us

Rue Des Diamants 11 Case Postale
3453 , 2500 Bienne 3, Switzerland

info@dbmf.ch

<https://www.dbmf.ch/>